

# User Manual

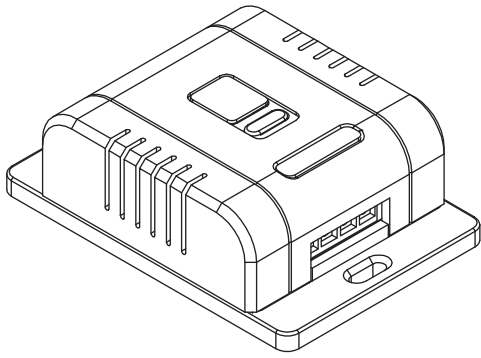
for Kinetic Wall Switch Dimmer Receivers

CUL 40040

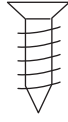
**Important note: Isolate power before connecting receiver. Failure to do so can cause electric shock, fire or other hazards.**

v1.0.3

## A. What is in the box ?



x 1



x 2



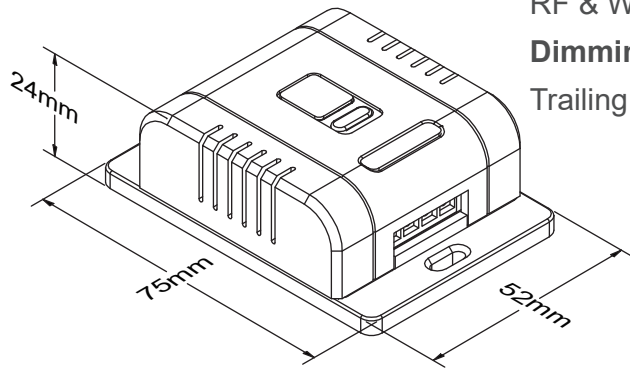
x 1



x 1

## B. Specifications

### Dimensions:



### Product Code:

RF & Wif KR02-DM-WF

### Dimming:

Trailing Edge

### Power:

100W LED; 200 Resistive Loads

### Input Voltage:

AC85~240V 50/60Hz

### Radio Frequency:

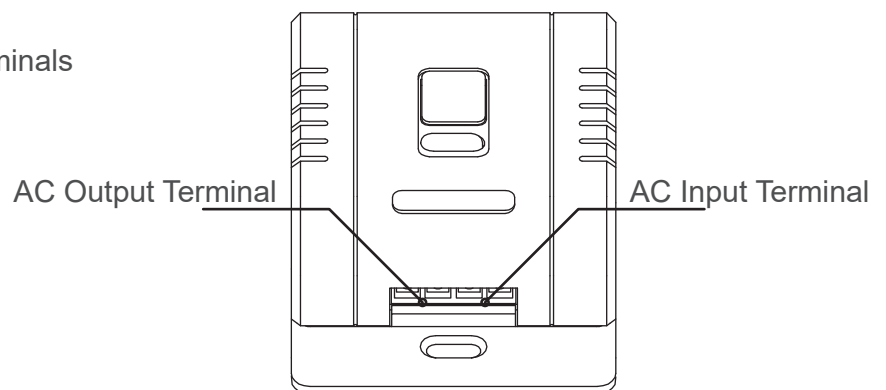
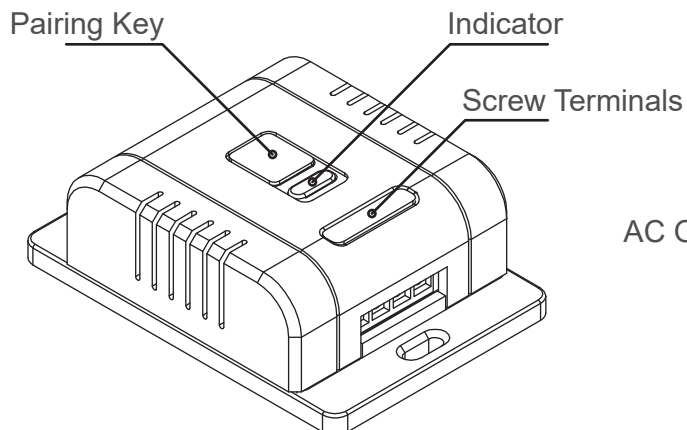
RF 433MHz & 2.4G for Smart Versions.

### IP Rating:

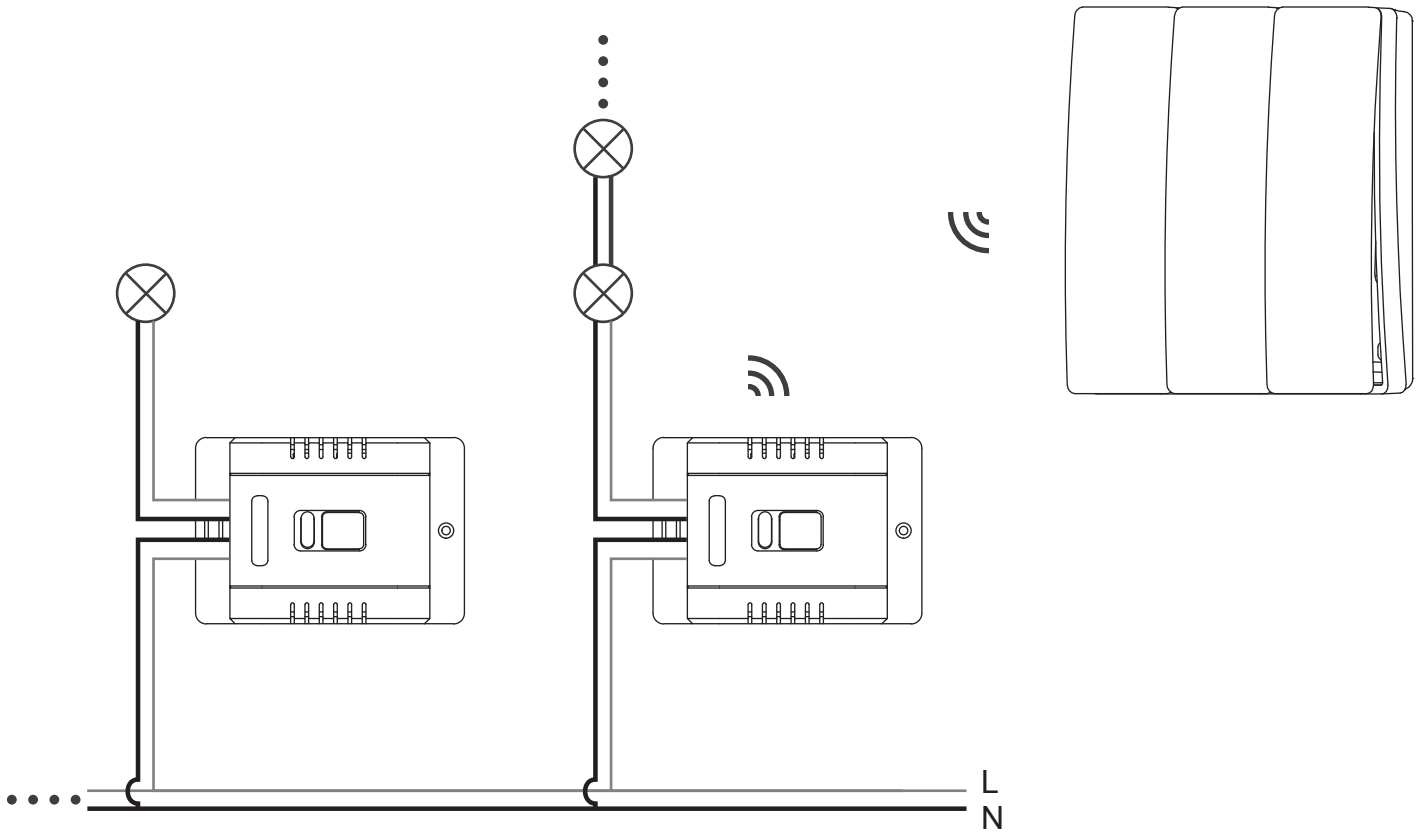
IP20; Indoor use only.



## C. Functions of parts



## D. Wiring Diagram

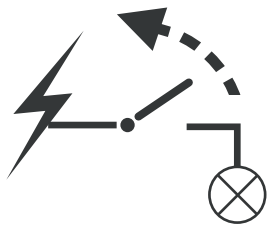


## E. Installations

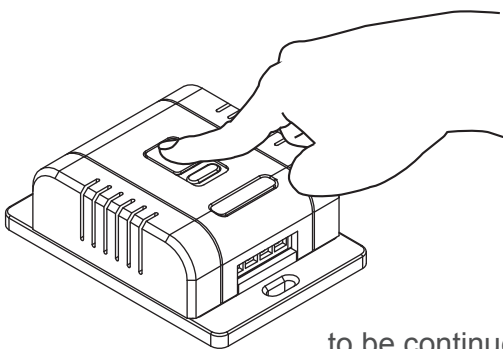
- Ⓐ Disconnect the mains before installation.



Installation must be carried out by licensed electricians.

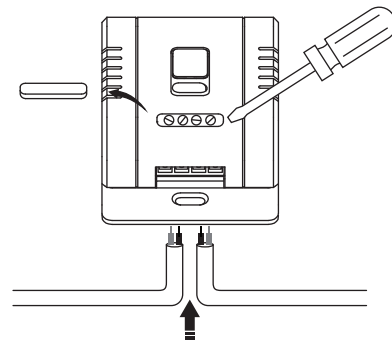


- Ⓒ Press the Pairing Key to pair to switches.

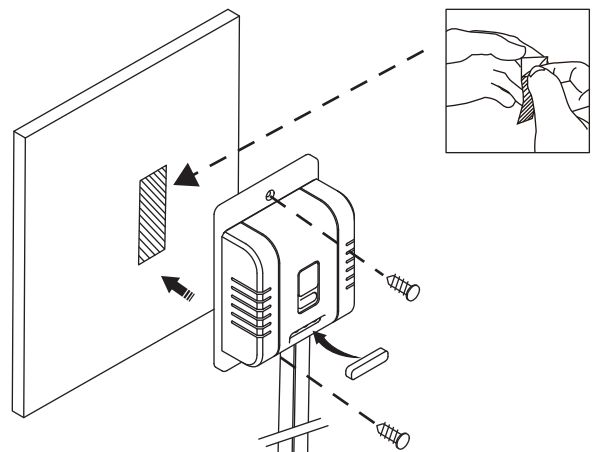


to be continued in Pairing section.

- Ⓑ Fix the cables to the receiver firmly.



- Ⓓ Fix the receiver by screws or sticker provided.



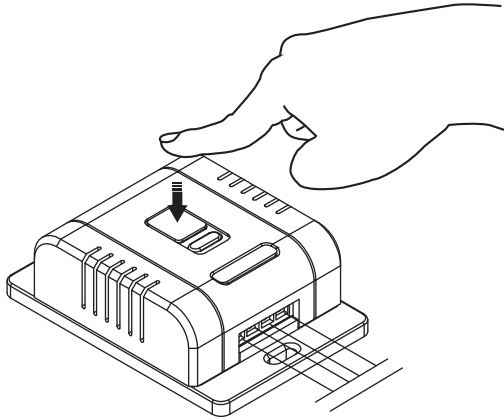
# F. Pairing

## 1. For RF Pairing

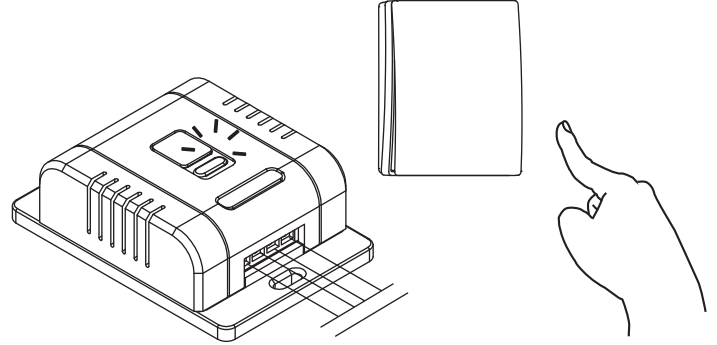


### Reset Pairings:

RF - Long press the pairing key for 6-7s;  
App - Long press the pairing key for 10-12s.



Press the Pairing Key for 3-4s,  
until the RED indicator flash slowly.



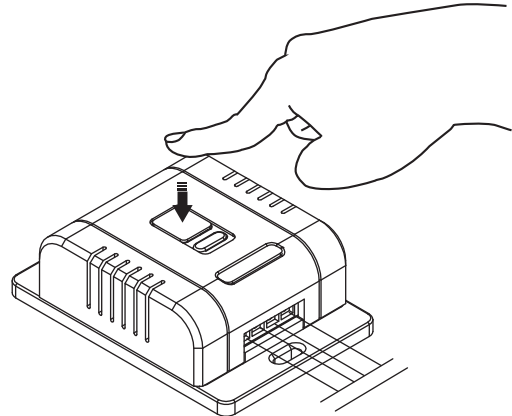
While the indicator on receiver flashes, press the  
Kinetic switch ONCE to complete the pairing.

## 2. For App Pairing

(a) Download Tuya Smartlife App to process:

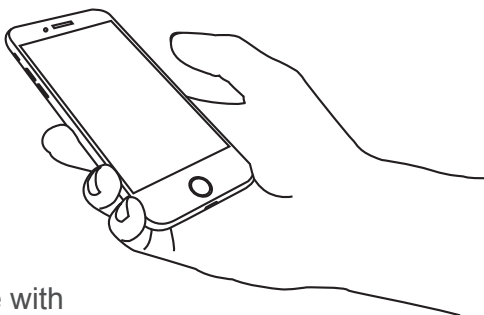


(b) Press 10-12s to activate App pairing on receiver:



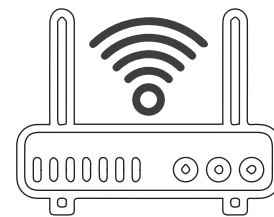
Press the Pairing Key for 10-12s,  
until the Red indicator changes into Blue light.

(a) Add the Dimmer receiver to Tuya App  
to complete pairing:



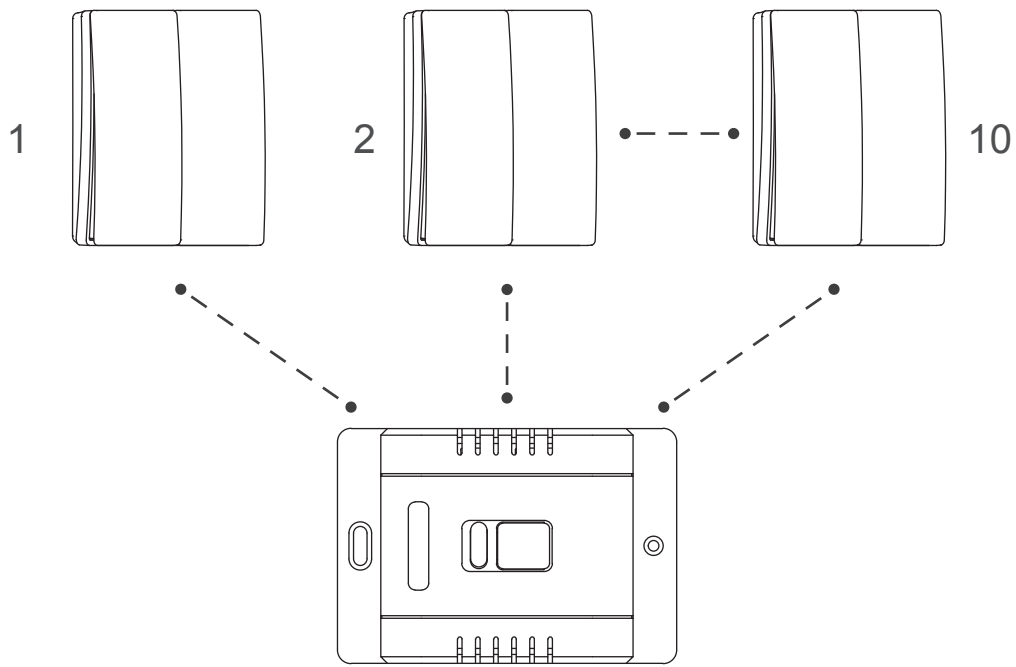
continue with  
Tuya User Manual.....

(b) Please note, 5G Router is NOT compatible.



**WiFi** 2.4G

## G. Pairing Limitations



**Max. 10 Kinetic Switches to pair ONE Dimmer Receiver.**

To avoid sync problem, we DO NOT suggest to pair multiple dimmer receivers to one or multiple Kinetic Switches.

-----

## H. Control the Dimmer via Kinetic Switch

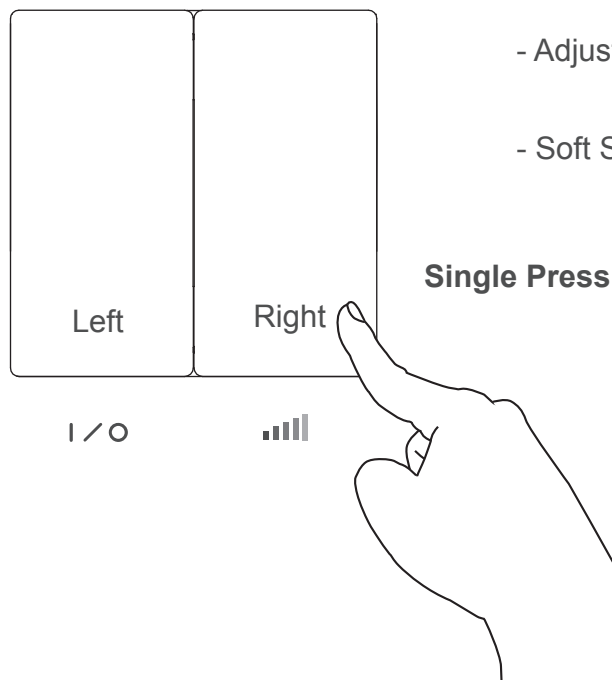
Left Switch Button

- Turn On/Off

Right Switch Button

- Adjust The Brightness

- Soft Start from Off



**For better dimming performance, please set the Min. and Max. brightness range for the dimmer on Tuya App. Follow the Tuya User Manual to do so.**

## I. Control the Dimmer via Tuya App

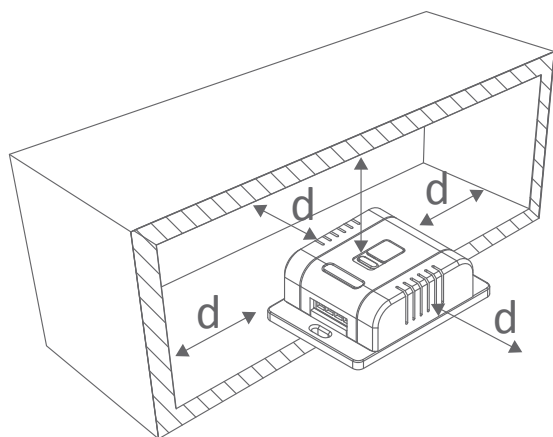


Follow Tuya App User Manual for better experience.

Scan the QR code to Tuya User Manual.

## J. Attentions

d = Min. 50mm



Do not cover with insulations.

